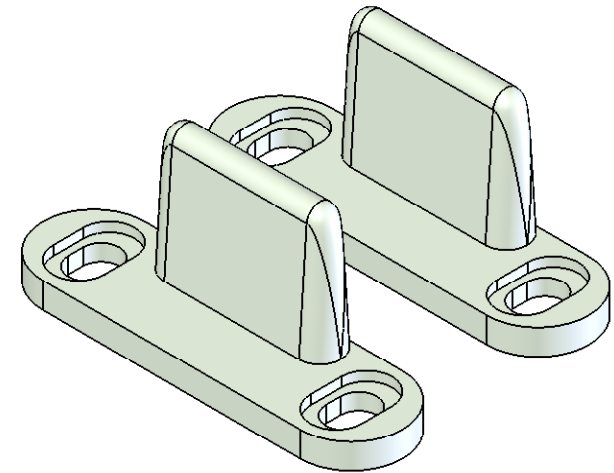
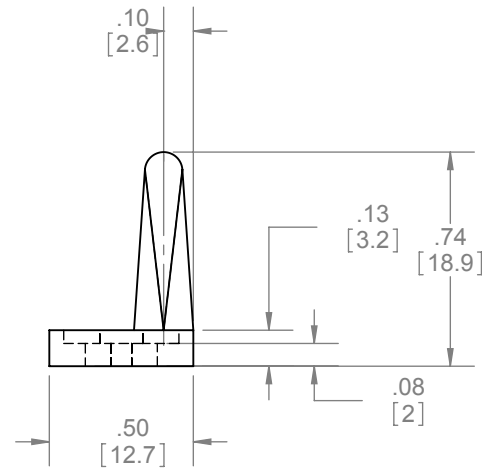
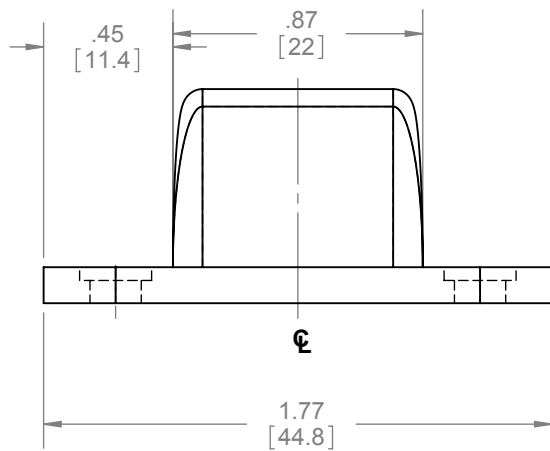
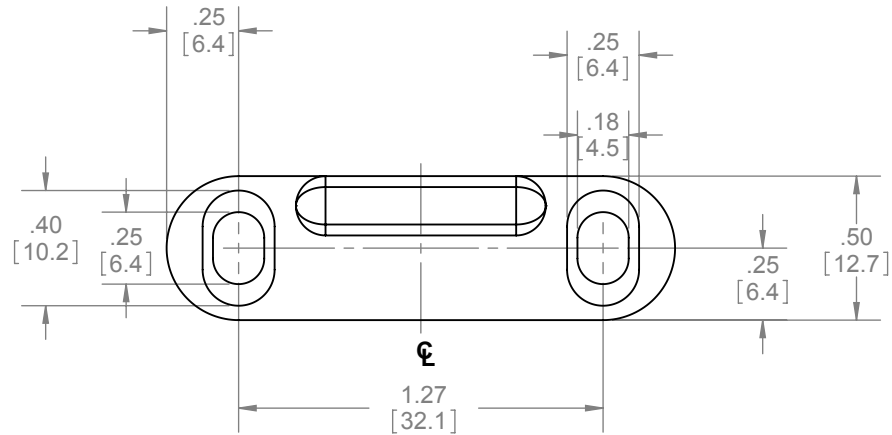


REVISIONS		
REV.	DESCRIPTION	DATE
01	NEW DRAWING FOR WEB	3/20/2008



NOTES:
- MOUNTS ON FLOOR

HARDWARE INCLUDED:
- 4PCS #8-32 x 3/4" CROSS PAN HEAD SCREW



PROPRIETARY & CONFIDENTIAL
THE INFORMATION CONTAINED IN THIS DRAWING IS THE SOLE PROPERTY OF HAGER COMPANIES. ANY REPRODUCTION IN PART OR AS A WHOLE WITHOUT THE WRITTEN PERMISSION OF HAGER COMPANIES IS PROHIBITED.

HAGER RESERVES THE RIGHT TO MAKE DESIGN CHANGES WITHOUT NOTICE. CALL HAGER ENGINEERING AT 1-800-325-9995 FOR THE LATEST REVISION DATE OF TEMPLATE.

DRAWN	NJANSEN	1/10/2008
ENG. APPR.	M MCRAE	3/20/2008
MATERIAL	ABS PLASTIC	
FINISH	NONE	
DO NOT SCALE DRAWING		
TOLERANCES: FRACTIONAL: ±0.015" ANGULAR: MACH: ± 1° BEND: ±1° TWO PLACE DECIMAL: ±0.01" THREE PLACE DECIMAL: ±0.004"		

9877		REV.
TWO PIECE PLASTIC DOOR GUIDE		01
SIZE	DWG. NO.	
A	S-SD00041	
SCALE:2:1	WEIGHT: 0.01	SHEET 1 OF 1